

WEIGHT ONLY OR
PRICE COMPUTING SCALE

CHECKOUT SCALE

DPOS-400 series

DIBAL

Ovlašćeni zastupnik

INT RASTER Toše Jovanovića 11
11030 Beograd
Tel.011/ 65-64-253

www.intraster.rs



LCD
SEGMENT
DISPLAY



RS-232



USB

Dimensions

DATA IN mm

A	50
B	275
C	65
D	345
E	420*
F	45

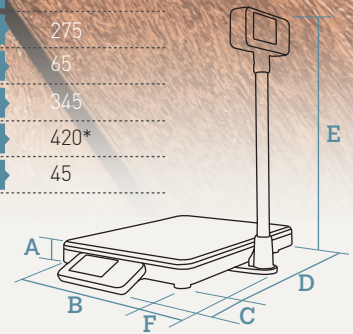


Plate dimensions: L300 x W230 mm.

Characteristics and functionality

Main characteristics

- Weight only or price computing scale for checkout applications.
- Modular and modern design.
- Easy integration into counters.
- Additional tempered glass plate available. Customizable with client's logo.
- Valid for legal metrology.

Features

- EAN heading programming (according to the communication protocol).
- Tare, fix tare and manual zero.
- Display of price in a secondary currency.
- Energy saving via programmable on and off back lighting switching and automatic disconnection.
- Power supply and communications through one single USB cable.

Capacity / Accuracy

- Multi-range (3,000 divisions): 6 kg / 2 g - 15 kg / 5 g.

Display:

- Easy to install in multiple positions (1 or 2 displays).
- Backlit LCD matrix graphic display.
- 5 digits (up to H20 mm) per display.
- Shows only weight or weight, price/kg and total (connected to POS and depending on the communication protocol).

Keypad with 3-keys.

Plate:

- Type: Flat.
- Material: Stainless steel. Also available in tempered glass (additional).

Power supply

- via USB connection
- with an AC/DC adapter 240 VAC to 5 V / 500 mA.
- other sources through a USB connection for example with a PC.

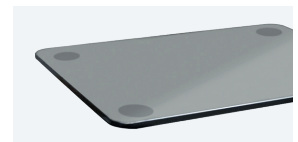
Communication to PC / POS / ECR

- RS-232 interface.
- USB.
- Communication protocols available for the main POS and ECR in the market.
- Multi-protocol: communication protocol is selected in the scale (40 protocols available). More protocols can be added from PC by telecharge (maximum: 60 protocols more).
- "OPOS" driver.

Accessories

Tempered glass plate

Stainless steel plate also included.



Models

Flat

	Vendor Display	Buyer Display	Communication protocols	Power through a USB	Capacity / Accuracy	Reference
DPOS-400 F - 1 DISP.	LCD Graphic	-	Up to 100	Mains / Others	6 kg / 2 g - 15 kg / 5 g	7POS00LNE__
DPOS-400 F - 2 DISP.	LCD Graphic	LCD Graphic	Up to 100	Mains / Others	6 kg / 2 g - 15 kg / 5 g	7POSPP0LNE__

Pole

	Vendor Display	Buyer Display	Communication protocols	Power through a USB	Capacity / Accuracy	Reference
DPOS-400 P - 1 DISP.	LCD Graphic	-	Up to 100	Mains / Others	6 kg / 2 g - 15 kg / 5 g	7POST00LNE__
DPOS-400 P - 2 DISP.	LCD Graphic	LCD Graphic	Up to 100	Mains / Others	6 kg / 2 g - 15 kg / 5 g	7POSTT0LNE__
DPOS-400 P - 2 DISP.	LCD Graphic	LCD Graphic	Up to 100	Mains / Others	6 kg / 2 g - 15 kg / 5 g	7POSPT0LNE__

(1 in base and 1 in pole)